



PyroElectro.com - PyroEDU

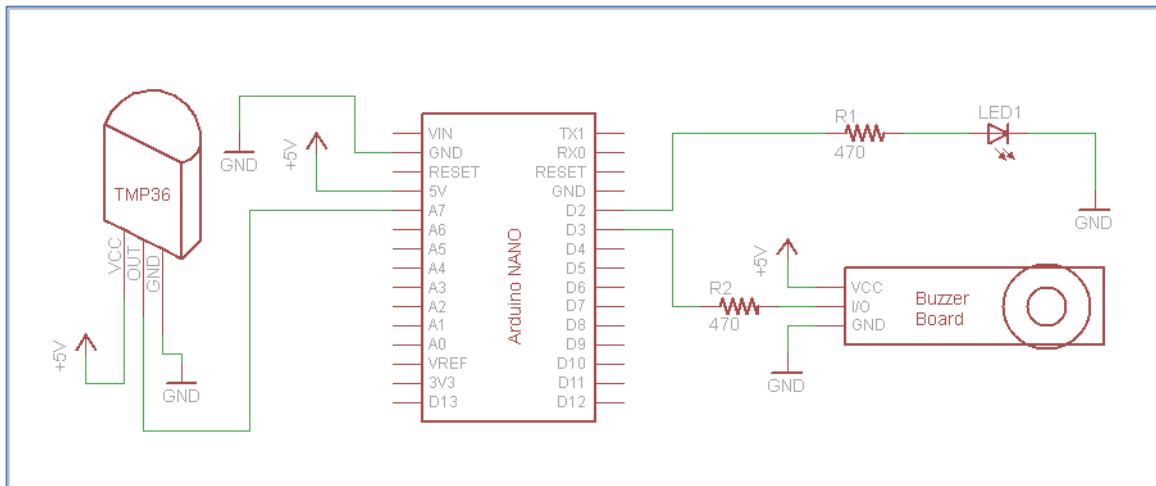
Introduction To Sensors – Lesson 3: Temperature Sensor

SCHEMATICS

The following schematic material is meant to go with the online lesson found here:
<http://www.pyroelectro.com/edu/sensors/temperature/>

LESSON 3 SCHEMATIC

The lesson 3 schematic used 2 resistors, the arduino nano board, the temperature sensor, the buzzer alarm board and an LED. Here is the complete schematic:



We start of this course with an easier project because in this lesson we also have to setup the arduino platform for development with the arduino nano. But still, this lesson is a good introduction into taking sensor input and setting an alarm's output.

ADDITIONAL INFORMATION

To ask questions about anything found in this schematic please head on over to the forums located at:

<http://www.pyroelectro.com/forums/viewforum.php?f=27>