



PyroElectro.com - PyroEDU

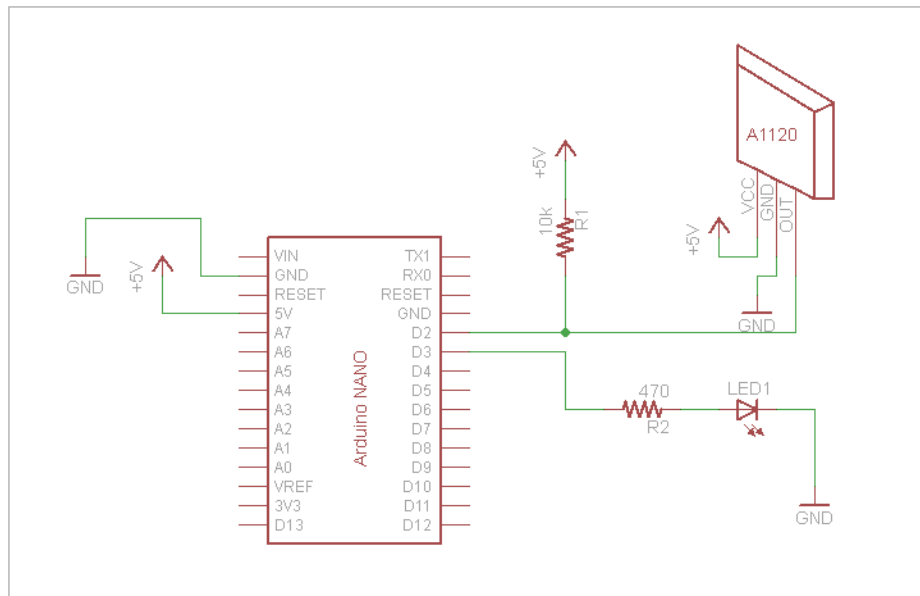
Introduction To Sensors – Lesson 10: Magnetic Sensor

SCHEMATICS

The following schematic material is meant to go with the online lesson found here:
<http://www.pyroelectro.com/edu/sensors/magnetic/>

LESSON 10 SCHEMATIC

The lesson 10 schematic uses a hall effect magnetic sensor, red LED and the arduino nano microcontroller board:



Whenever a magnetic field is detected near the hall effect sensor the red LED is turned on to visually notify us.

ADDITIONAL INFORMATION

To ask questions about anything found in this schematic please head on over to the forums located at:

<http://www.pyroelectro.com/forums/viewforum.php?f=27>