



PyroElectro.com - PyroEDU

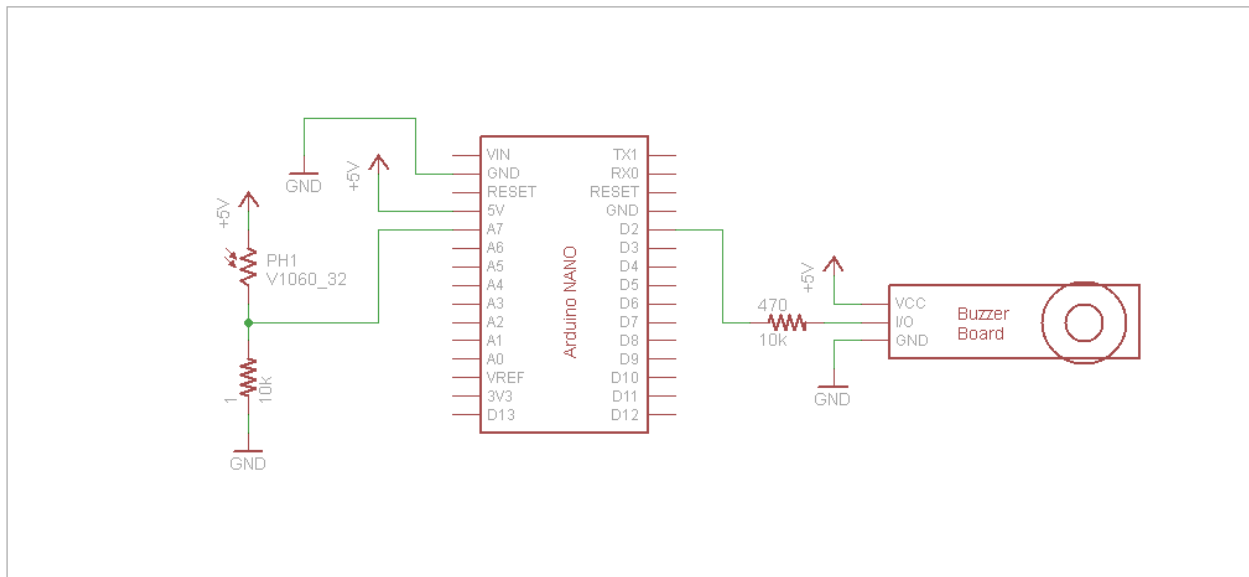
Introduction To Sensors – Lesson 8: Light Sensor

SCHEMATICS

The following schematic material is meant to go with the online lesson found here:
<http://www.pyroelectro.com/edu/sensors/light/>

LESSON 8 SCHEMATIC

The lesson 8 schematic uses the photoresistor, buzzer board pcb and the arduino nano microcontroller board:



In this lesson, if light is being directed at the photoresistor, the system stays in an idle state. If the laser is blocked, the buzzer board alarm is triggered, creating a laser trip-wire.

ADDITIONAL INFORMATION

To ask questions about anything found in this schematic please head on over to the forums located at:

<http://www.pyroelectro.com/forums/viewforum.php?f=27>