



PyroElectro.com - PyroEDU

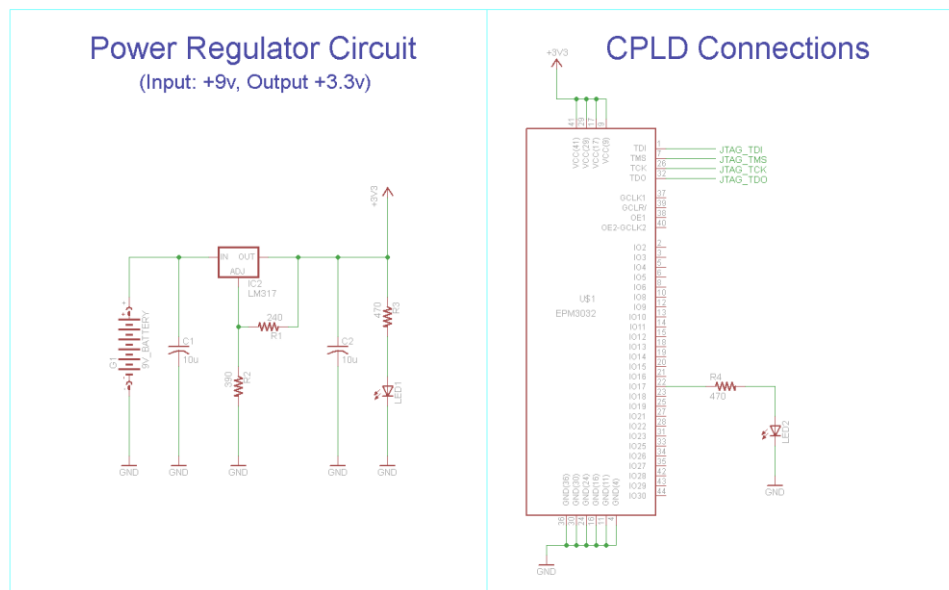
Introduction To Sensors – Lesson 1: The Introduction

SCHEMATICS

The following schematic material is meant to go with the online lesson found here:
<http://www.pyroelectro.com/edu/sensors/introduction/>

EXAMPLE SCHEMATIC

In every lesson we will perform an experiment and every experiment will have an associated schematic that defines like a blue-print how the experiment's hardware should be wired together. Here is an example schematic from our previous course, An Introduction to CPLD & FPGA:



Since we will be using the Arduino Nano in this course, our schematics will be much simpler than the example seen above. This is because the power supply we will use will come from +5v USB and the Arduino Nano board already has the supporting circuitry needed to load programs onto it. Overall for you, that means less time connecting wires and more time learning & experimenting!

ADDITIONAL INFORMATION

To ask questions about anything found in this schematic please head on over to the forums located at:

<http://www.pyroelectro.com/forums/viewforum.php?f=27>