



# PyroElectro.com - PyroEDU

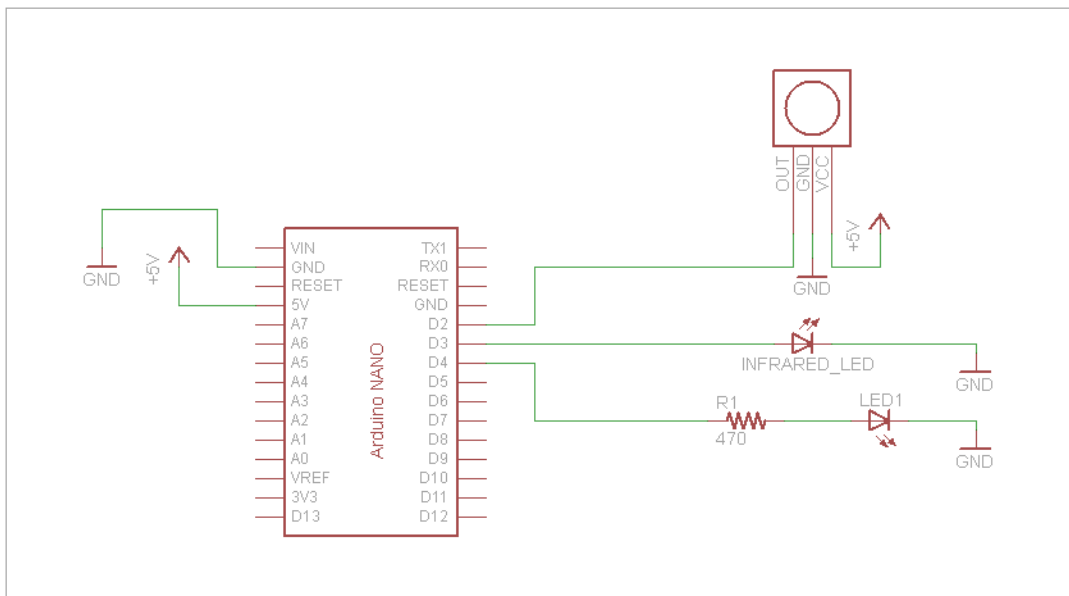
## Introduction To Sensors – Lesson 4: IR Proximity Sensor

### SCHEMATICS

The following schematic material is meant to go with the online lesson found here:  
[http://www.pyroelectro.com/edu/sensors/infrared\\_proximity/](http://www.pyroelectro.com/edu/sensors/infrared_proximity/)

### LESSON 4 SCHEMATIC

The lesson 4 schematic is another very simple schematic with only a few component, the arduino nano, photodetector, infrared led, 470Ω resistor and a red LED:



In this lesson we are building a proximity sensor that can detect an object a certain distance away and notify the arduino that something is in the way, then the arduino can turn on an LED to visually notify us that something was detected!

### ADDITIONAL INFORMATION

To ask questions about anything found in this schematic please head on over to the forums located at:

<http://www.pyroelectro.com/forums/viewforum.php?f=27>