



PyroElectro.com - PyroEDU

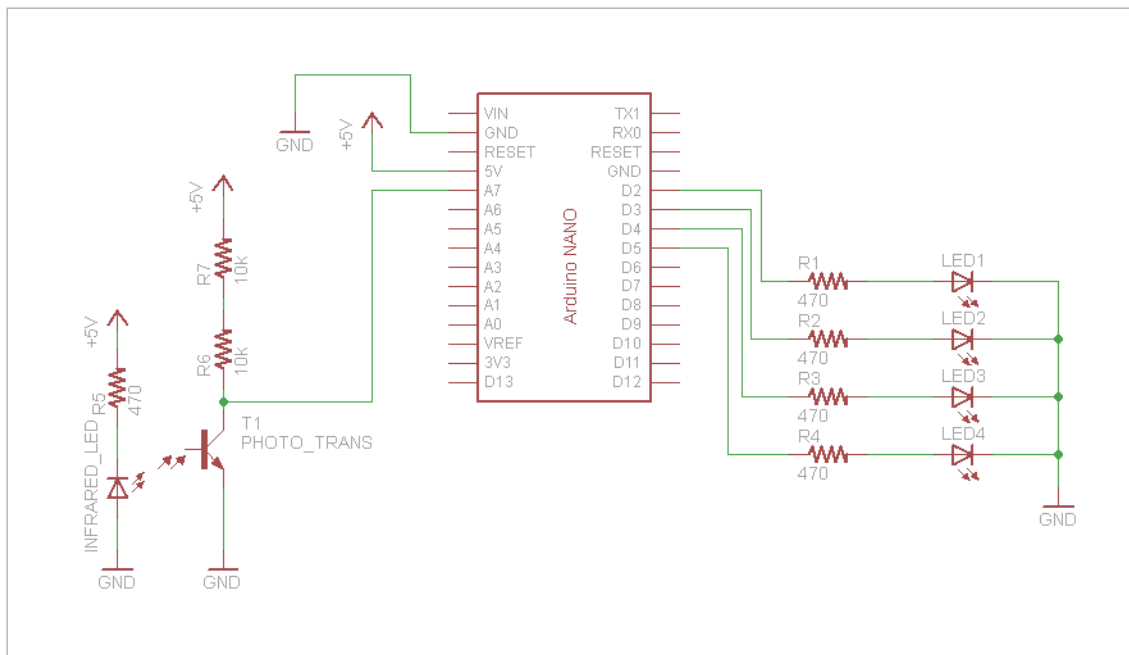
Introduction To Sensors – Lesson 5: Infrared Encoder

SCHEMATICS

The following schematic material is meant to go with the online lesson found here:
http://www.pyroelectro.com/edu/sensors/infrared_encoder/

LESSON 5 SCHEMATIC

The lesson 5 schematic uses an infrared emitter and phototransistor to make the encoder sensor and then 4 red leds to output when transitions are detected:



In this lesson the infrared encoder was used to track the different transitions between detecting white color and black color. This allowed us to track the movement of an encoder wheel!

ADDITIONAL INFORMATION

To ask questions about anything found in this schematic please head on over to the forums located at:

<http://www.pyroelectro.com/forums/viewforum.php?f=27>