



PyroElectro.com - PyroEDU

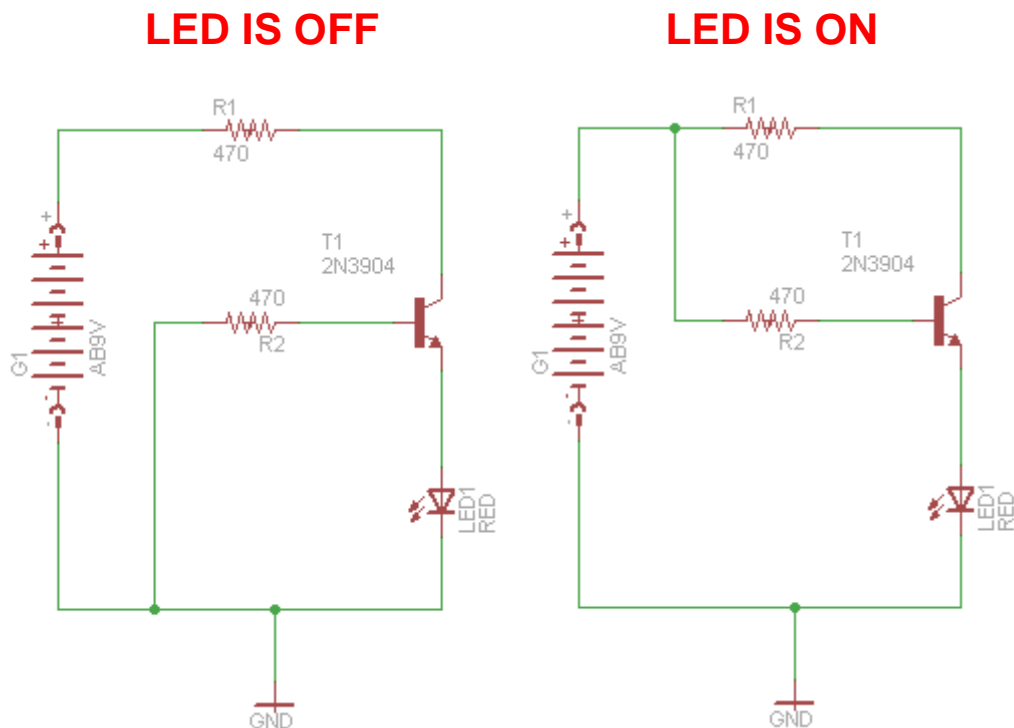
Introduction To Modern Electronics – Lesson 7: The Transistor

SCHEMATICS

The following schematic material is meant to go with the online lesson found here:
<http://www.pyroelectro.com/edu/basics/transistor/>

TRANSISTOR EXPERIMENT SCHEMATICS

In this lesson, we performed an experiment that turned the **NPN** transistor on and off by changing the connection of R2 between ground and power. The **NPN** transistor turned on when the middle 'base' pin was connected to power. Alternatively, in the second experiment, the **PNP** type transistor turned on when the middle 'base' pin was connected to ground.



So if we were to redraw these two schematics using two **PNP** transistors, they would be opposite each other: the schematic on the left would be 'LED is On' and the schematic on the right would be 'LED is Off'.

ADDITIONAL INFORMATION

To ask questions about anything found in this schematic please head on over to the forums located at:

<http://www.pyroelectro.com/forums/viewforum.php?f=22>