



# PyroElectro.com - PyroEDU

*Introduction To Modern Electronics – Lesson 1: Introduction*

## SCHEMATICS

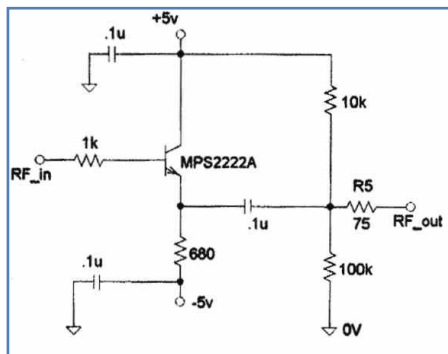
The following schematic material is meant to go with the online lesson found here:  
<http://www.pyroelectro.com/edu/basics/introduction/>

## INTRODUCTION

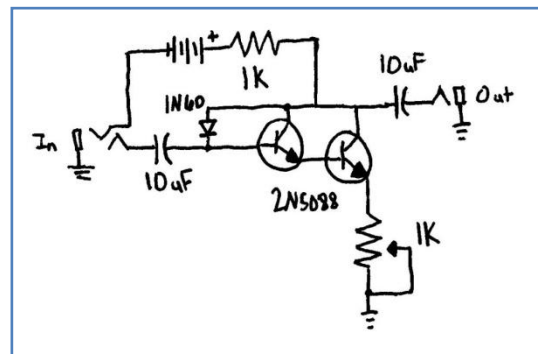
Each course will have one or more schematics that define the experimental circuits built in the lesson. The downloadable schematic material with each lesson will give you offline access to the circuits built in each lesson so that you can dig deeper into the circuits and rebuild them at your leisure.

Since we haven't started the course it is a little bit early to dive right into schematics, so instead we'll give you a tiny taste of the things to come, as the lessons relate to learning about schematics. Below you can see two schematics of different circuits:

Computer Drawn



Hand Drawn



vs.

As with most things, the work done on the computer is easier to read and follow than its hand drawn competitor, however when we start learning something new, we must always do it by hand first, rather than on machine. Think about when you learned math, you wrote with a pencil on paper long before you touched a calculator.

One of the things this course will teach you is how to draw electric schematics, what the different circuit symbols are and common standards for how professionals draw up schematics and naturally, we will be doing all our drawing by hand!

## ADDITIONAL INFORMATION

To ask questions about anything found in this schematic please head on over to the forums located at:

<http://www.pyroelectro.com/forums/viewforum.php?f=22>