



PyroElectro.com - PyroEDU

Introduction To Modern Electronics – Lesson 6: The Diode

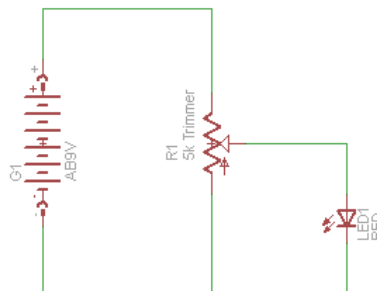
SCHEMATICS

The following schematic material is meant to go with the online lesson found here:
<http://www.pyroelectro.com/edu/basics/diode/>

DIODE EXPERIMENT SCHEMATICS

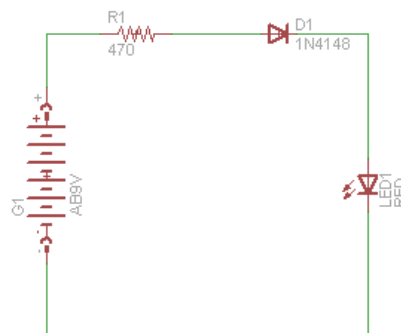
In this lesson, we performed an experiment that varied the brightness of an LED by turning a trimpot resistor. The schematic for that circuit can be seen below.

Varying LED Brightness

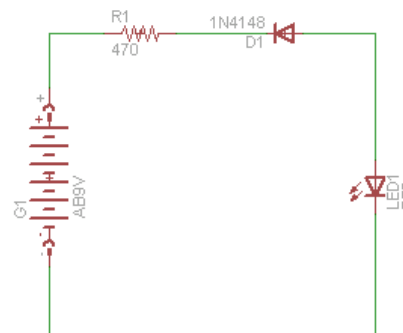


The final experiment of this lesson used a 1N4148 diode in a standard resistor and LED circuit. The 1N4148 diode showed us how diodes only allow electrical current to flow through them in one way—the direction that the “arrow” is pointing.

LED Is 'ON'



LED Is 'OFF'



ADDITIONAL INFORMATION

To ask questions about anything found in this schematic please head on over to the forums located at:

<http://www.pyroelectro.com/forums/viewforum.php?f=22>