



PyroElectro.com - PyroEDU

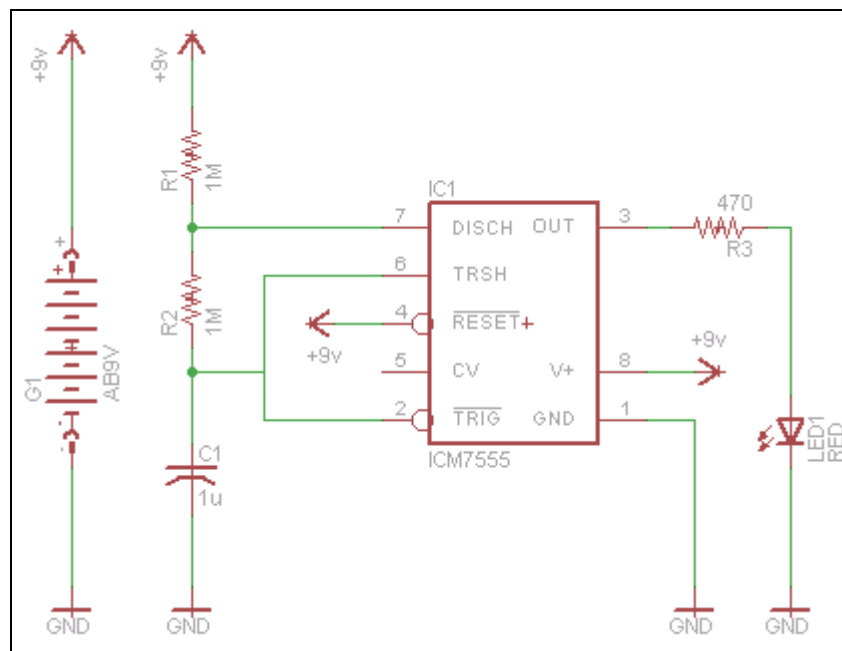
Introduction To Modern Electronics – Lesson 9: The 555 Timer

SCHEMATICS

The following schematic material is meant to go with the online lesson found here:
<http://www.pyroelectro.com/edu/basics/lesson9/>

555 TIMER EXPERIMENT SCHEMATIC

In this lesson, we performed an experiment where we intelligently designed a blinking a-stable oscillating 555 timer circuit. The schematic for that circuit can be seen below:



This is one of the more complex circuits that we built in this course but it was important to understand that we can easily control output signal timing by switching out resistor and capacitor components for larger and smaller values.

ADDITIONAL INFORMATION

To ask questions about anything found in this schematic please head on over to the forums located at:

<http://www.pyroelectro.com/forums/viewforum.php?f=22>