



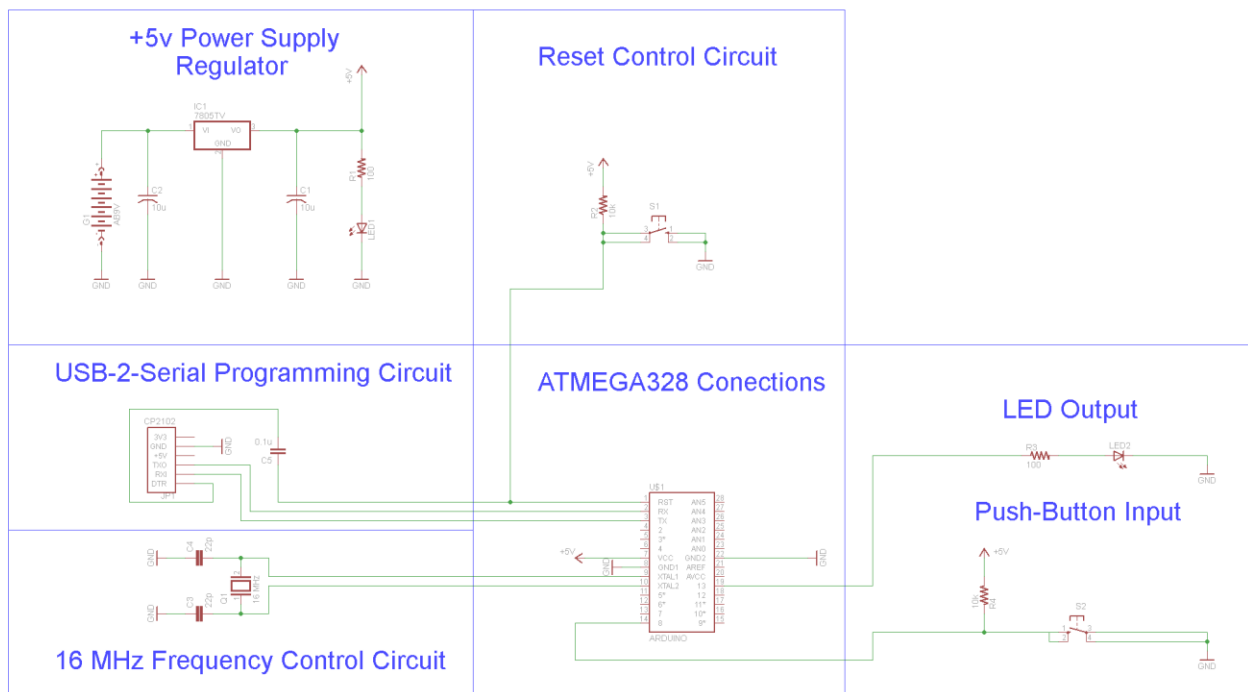
PyroElectro.com - PyroEDU

Introduction To Microcontrollers Electronics – Lesson 4: Timers and Timing

SCHEMATICS

The following schematic material is meant to go with the online lesson found here:
http://www.pyroelectro.com/edu/microcontrollers/timers_timing/

EXAMPLE SCHEMATIC



This is the schematic for the experiment in lesson 4. It uses a push button and an LED to represent how we can use the specific Arduino timing functions. These functions allowed our programs to perform pre-programmed actions at specific timing intervals.

ADDITIONAL INFORMATION

To ask questions about anything found in this schematic please head on over to the forums located at:

<http://www.pyroelectro.com/forums/viewforum.php?f=25>