



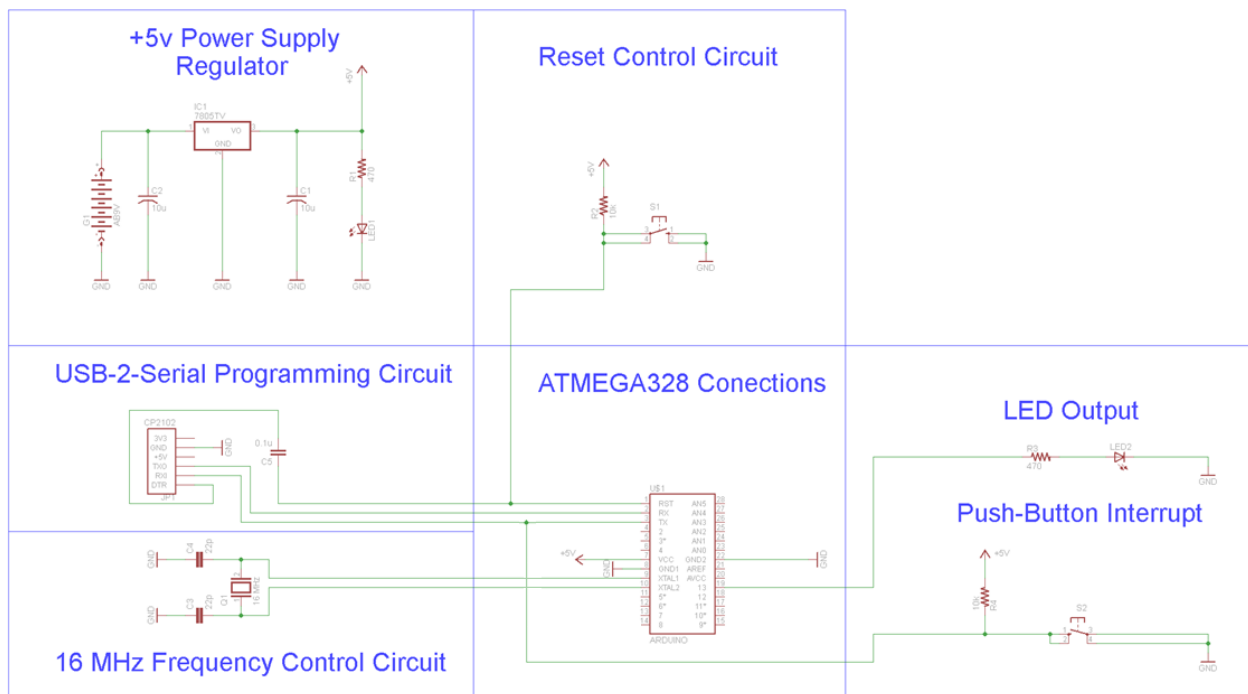
PyroElectro.com - PyroEDU

Introduction To Microcontrollers Electronics – Lesson 6: Polling vs. Interrupts

SCHEMATICS

The following schematic material is meant to go with the online lesson found here:
http://www.pyroelectro.com/edu/microcontrollers/polling_interrupts/

EXAMPLE SCHEMATIC



Here is the lesson 6 schematic. In this lesson's experiment, instead of using a polling technique to get input from the push button, we used an interrupt.

ADDITIONAL INFORMATION

To ask questions about anything found in this schematic please head on over to the forums located at:

<http://www.pyroelectro.com/forums/viewforum.php?f=25>