



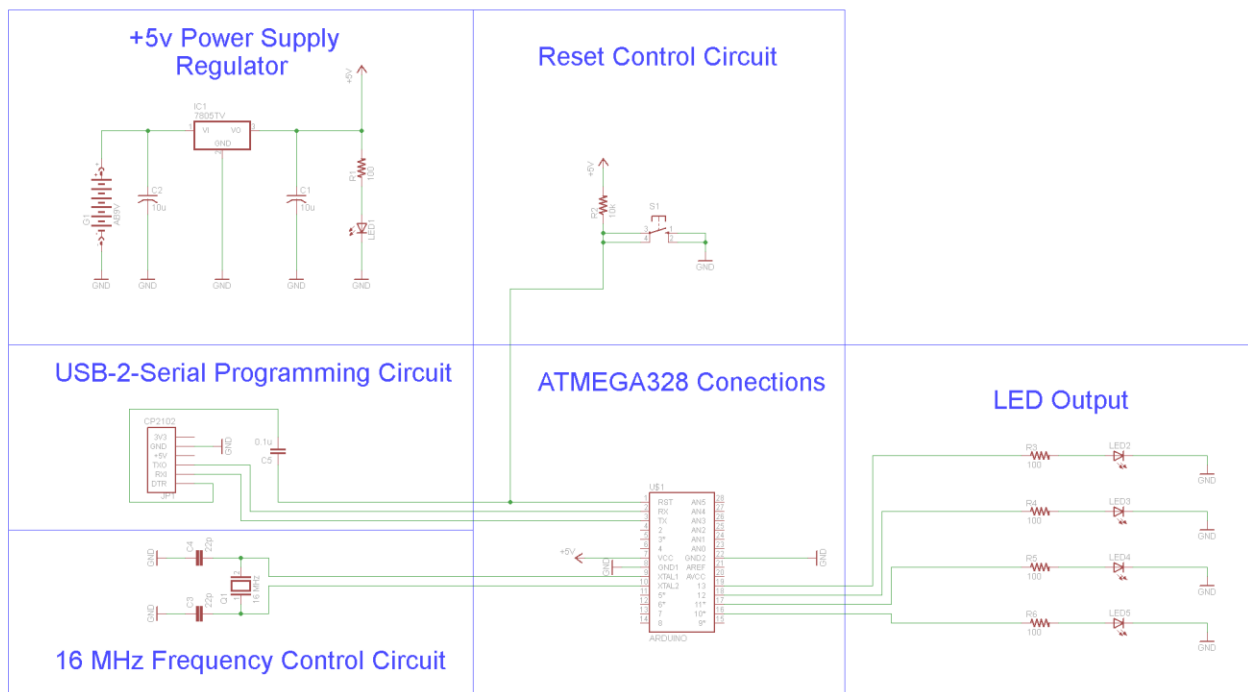
# PyroElectro.com - PyroEDU

## Introduction To Microcontrollers Electronics – Lesson 7: PC Communication

### SCHEMATICS

The following schematic material is meant to go with the online lesson found here:  
[http://www.pyroelectro.com/edu/microcontrollers/pc\\_comm/](http://www.pyroelectro.com/edu/microcontrollers/pc_comm/)

### EXAMPLE SCHEMATIC



Here is the lesson 7 schematic. In this lesson we used serial communication to tell the ATMEGA328 microcontroller to turn on specific LEDs and then turn them off. A simple idea, but powerful once you realize that you can make two computer talk to each other!

### ADDITIONAL INFORMATION

To ask questions about anything found in this schematic please head on over to the forums located at:

<http://www.pyroelectro.com/forums/viewforum.php?f=25>