



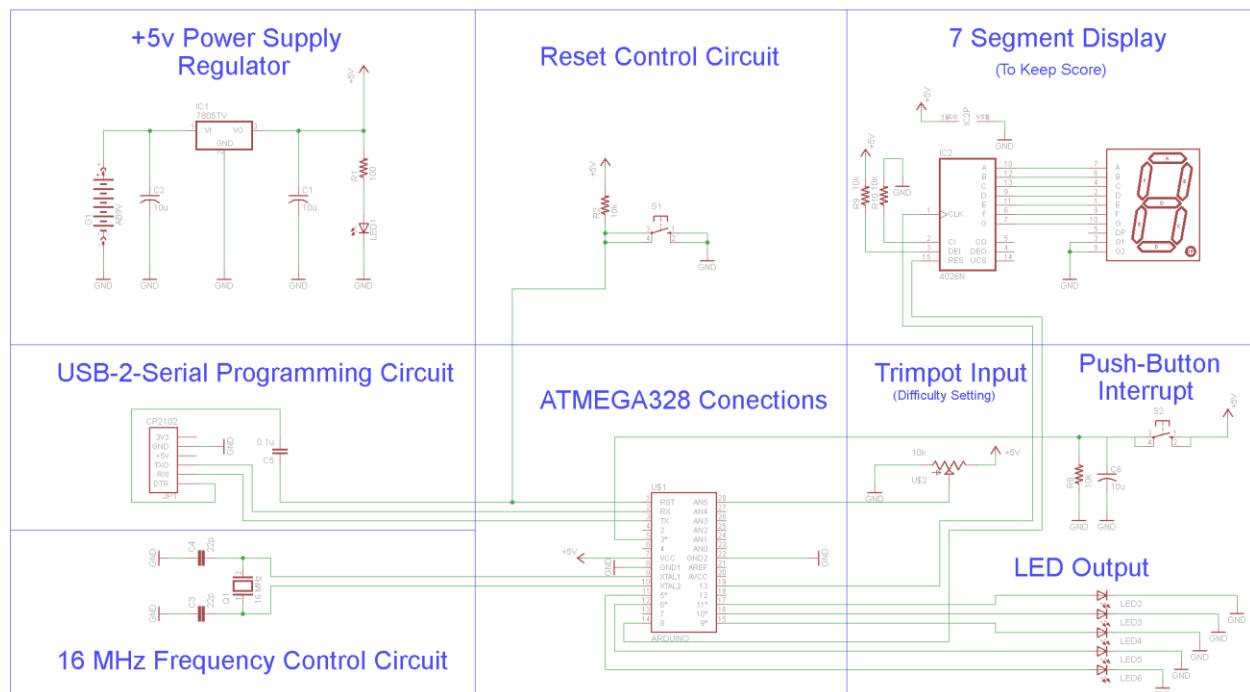
PyroElectro.com - PyroEDU

Introduction To Microcontrollers Electronics – Lesson 8: Build An LED Game

SCHEMATICS

The following schematic material is meant to go with the online lesson found here:
http://www.pyroelectro.com/edu/microcontrollers/led_game/

EXAMPLE SCHEMATIC



In lesson 8 we learned how to combine all of the content from the previous 7 lessons and make a game that used a push button interrupt to give input as well as a analog trimpot to select difficulty. We also used a 7 segment display and 4026 counter to show the current score, as well as 5 LEDs to build the game output. The schematic for this entire lesson can be see above.

ADDITIONAL INFORMATION

To ask questions about anything found in this schematic please head on over to the forums located at:

<http://www.pyroelectro.com/forums/viewforum.php?f=25>