



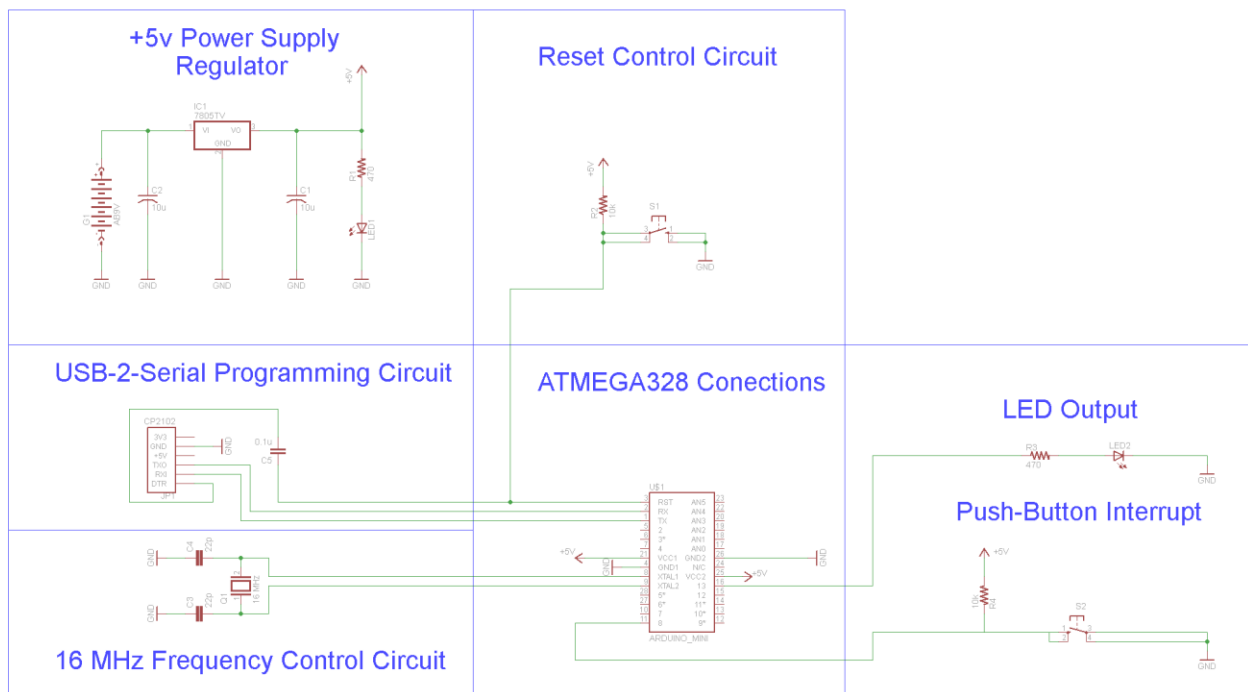
# PyroElectro.com - PyroEDU

Introduction To Microcontrollers Electronics – Lesson 1: The Introduction

## SCHEMATICS

The following schematic material is meant to go with the online lesson found here:  
<http://www.pyroelectro.com/edu/microcontrollers/introduction/>

## EXAMPLE SCHEMATIC



Here is an example schematic of a circuit that we will build. It is sectioned off into the different important blocks that allow the microcontroller to function. Each lesson will have a unique hardware circuit, like the one you see above, that we will build and experiment with.

## ADDITIONAL INFORMATION

To ask questions about anything found in this schematic please head on over to the forums located at:

<http://www.pyroelectro.com/forums/viewforum.php?f=25>