



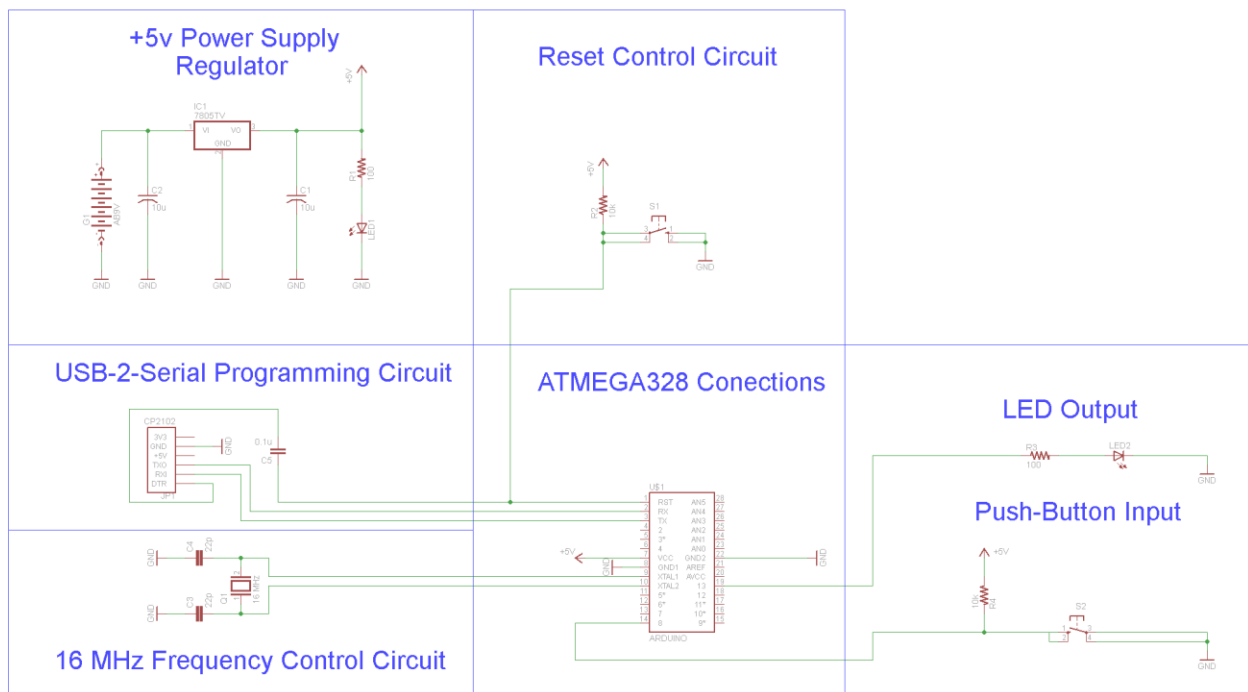
PyroElectro.com - PyroEDU

Introduction To Microcontrollers Electronics – Lesson 3: Input and Output

SCHEMATICS

The following schematic material is meant to go with the online lesson found here:
http://www.pyroelectro.com/edu/microcontrollers/input_output/

EXAMPLE SCHEMATIC



This is the lesson 3 hardware schematic where we added an LED to see output and used a push button to give input to the microcontroller. The schematic is very similar to the one we used in lesson 2 so no need to fear the hardware in it!

ADDITIONAL INFORMATION

To ask questions about anything found in this schematic please head on over to the forums located at:

<http://www.pyroelectro.com/forums/viewforum.php?f=25>