



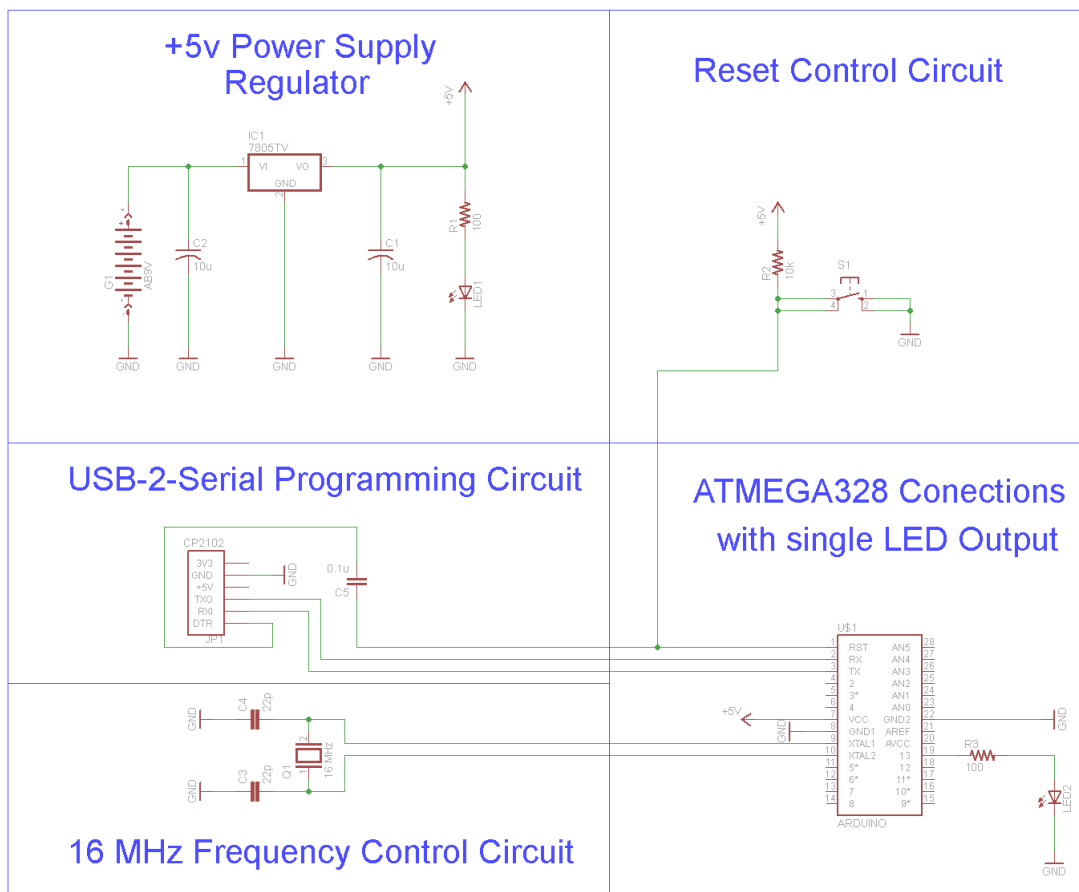
# PyroElectro.com - PyroEDU

Introduction To Microcontrollers Electronics – Lesson 2: Hardware Hello World

## SCHEMATICS

The following schematic material is meant to go with the online lesson found here:  
[http://www.pyroelectro.com/edu/microcontrollers/hello\\_world/](http://www.pyroelectro.com/edu/microcontrollers/hello_world/)

## EXAMPLE SCHEMATIC



This is the complete hardware schematic for lesson 2 of the Introduction to Microcontrollers course. The 5 different unique sections are all important to get LED2 to turn on programmatically.

## ADDITIONAL INFORMATION

To ask questions about anything found in this schematic please head on over to the forums located at:

<http://www.pyroelectro.com/forums/viewforum.php?f=25>