



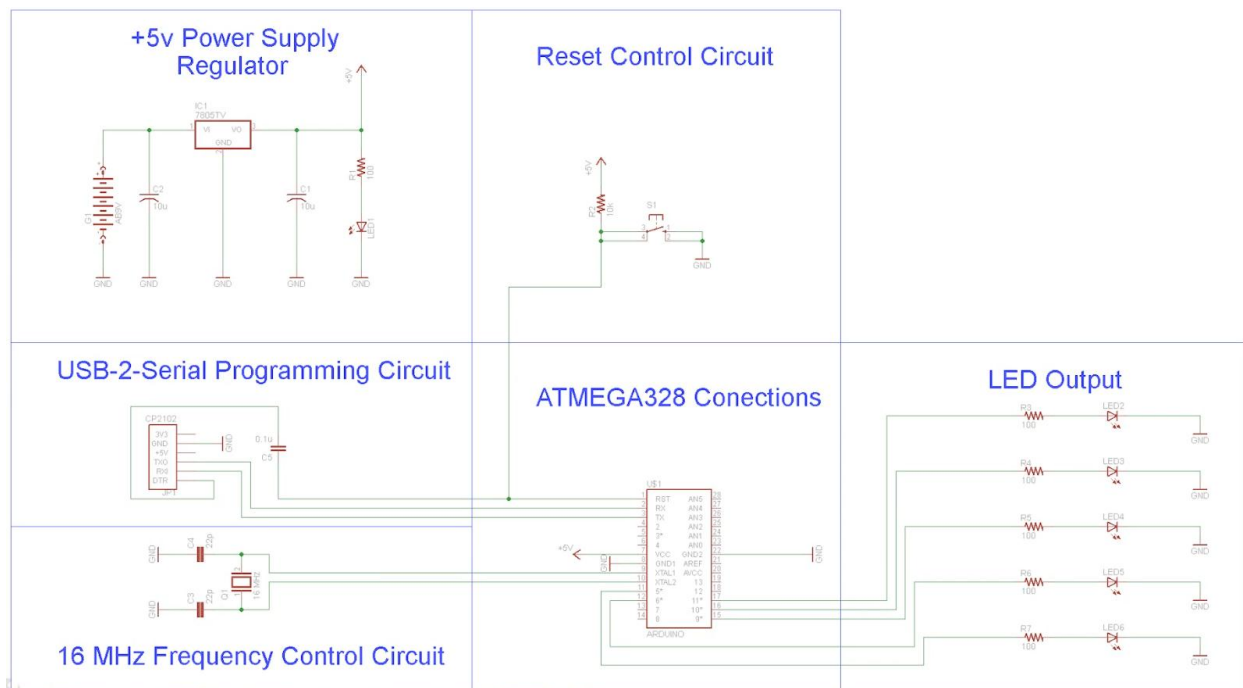
PyroElectro.com - PyroEDU

Introduction To Microcontrollers Electronics – Lesson 9: Design A Cyclops Eye

SCHEMATICS

The following schematic material is meant to go with the online lesson found here:
http://www.pyroelectro.com/edu/microcontrollers/cyclops_eye/

EXAMPLE SCHEMATIC



In lesson 9 we used the analogwrite function to output different PWM duty cycles to 5 LEDs creating a neat cyclops eye effect. The full hardware schematic can be seen above. Follow this schematic while building the project to make sure you connect everything correctly.

ADDITIONAL INFORMATION

To ask questions about anything found in this schematic please head on over to the forums located at:

<http://www.pyroelectro.com/forums/viewforum.php?f=25>