



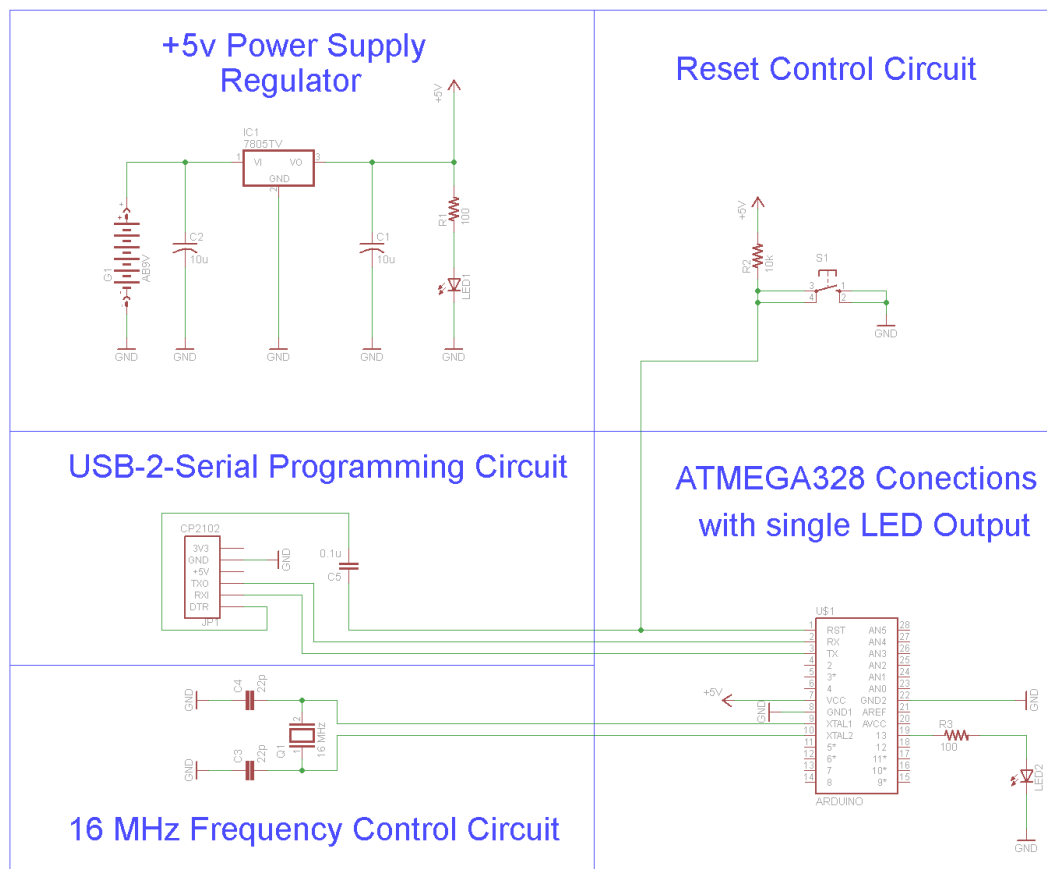
# PyroElectro.com - PyroEDU

Introduction To Microcontrollers Electronics – Lesson 10: AVR vs Arduino

## SCHEMATICS

The following schematic material is meant to go with the online lesson found here:  
[http://www.pyroelectro.com/edu/microcontrollers/avr\\_vs\\_arduino/](http://www.pyroelectro.com/edu/microcontrollers/avr_vs_arduino/)

## EXAMPLE SCHEMATIC



In lesson 10 we were introduced to some differences between developing for the Arduino platform and developing for AVR microcontrollers. The hardware schematic for the experiment we built can be seen above. This is the same hardware setup as in lesson 2 where we did our hardware hello world.

## ADDITIONAL INFORMATION

To ask questions about anything found in this schematic please head on over to the forums located at:

<http://www.pyroelectro.com/forums/viewforum.php?f=25>