



PyroElectro.com - PyroEDU

Introduction To FPGA And CPLD – Lesson 3: Input and Output

SCHEMATICS

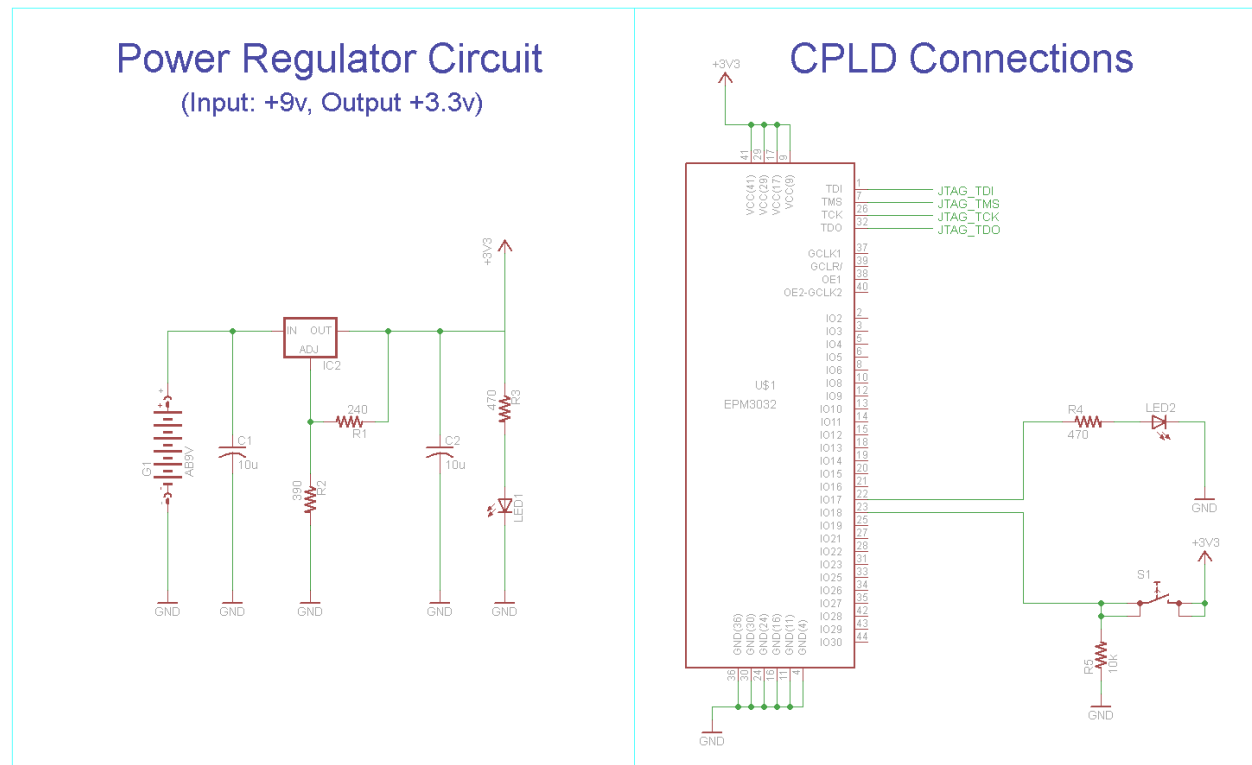
The following schematic material is meant to go with the online lesson found here:

http://www.pyroelectro.com/edu/fpga/input_output/

EXAMPLE SCHEMATIC

In lesson 3 we took a look at how to drive an output using an input. A push button was used to create input with a pull down resistor on one side and a connection to +3.3v on the other side of the button. An LED on PIN_22 showed us the output status.

Below you can see the schematic for lesson 3:



This schematic is the same as lesson2's schematic, except that we've added 2 parts: a push button and a pull-down resistor.

ADDITIONAL INFORMATION

To ask questions about anything found in this schematic please head on over to the forums located at:

<http://www.pyroelectro.com/forums/viewforum.php?f=26>