



# PyroElectro.com - PyroEDU

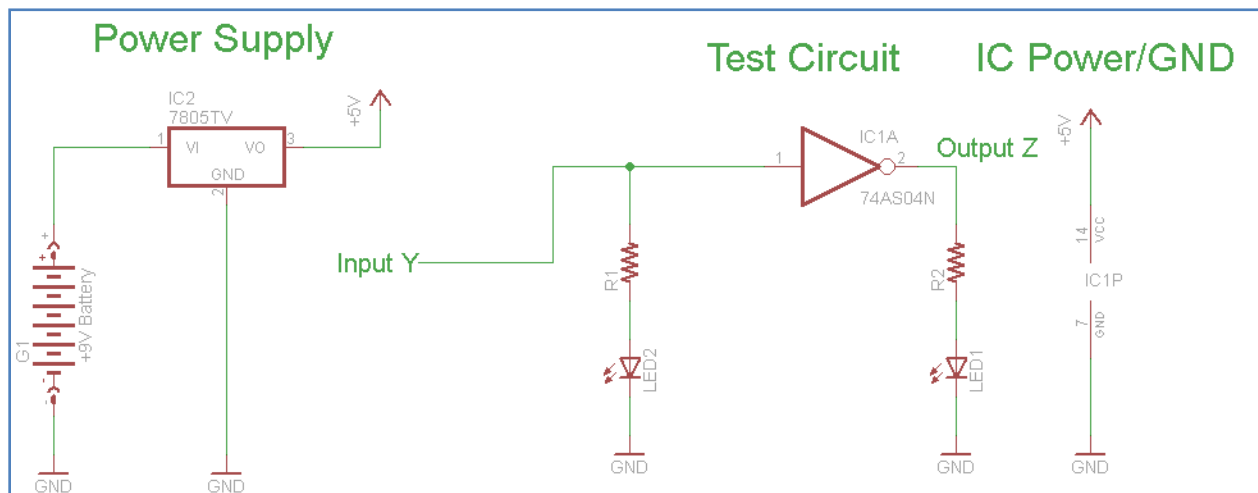
*Introduction To Digital Electronics – Lesson 1: The Introduction*

## SCHEMATICS

The following schematic material is meant to go with the online lesson found here:  
<http://www.pyroelectro.com/edu/digital/introduction/>

## EXAMPLE SCHEMATIC

Each lesson in this course will have an accompanying schematics file that will have the schematic of the experimental circuit built in the lesson. This is for your reference to help you build the experimental circuit. Below you can see an example of what a schematic looks like:



Many schematics will reuse parts like the 7805 +5v regulator circuit or 555 timer clock generation circuits so don't be surprised if you see a lot of similarities across the schematics. This is for your benefit to make sure you really understand how things are working.

## ADDITIONAL INFORMATION

To ask questions about anything found in this schematic please head on over to the forums located at:

<http://www.pyroelectro.com/forums/viewforum.php?f=21>