



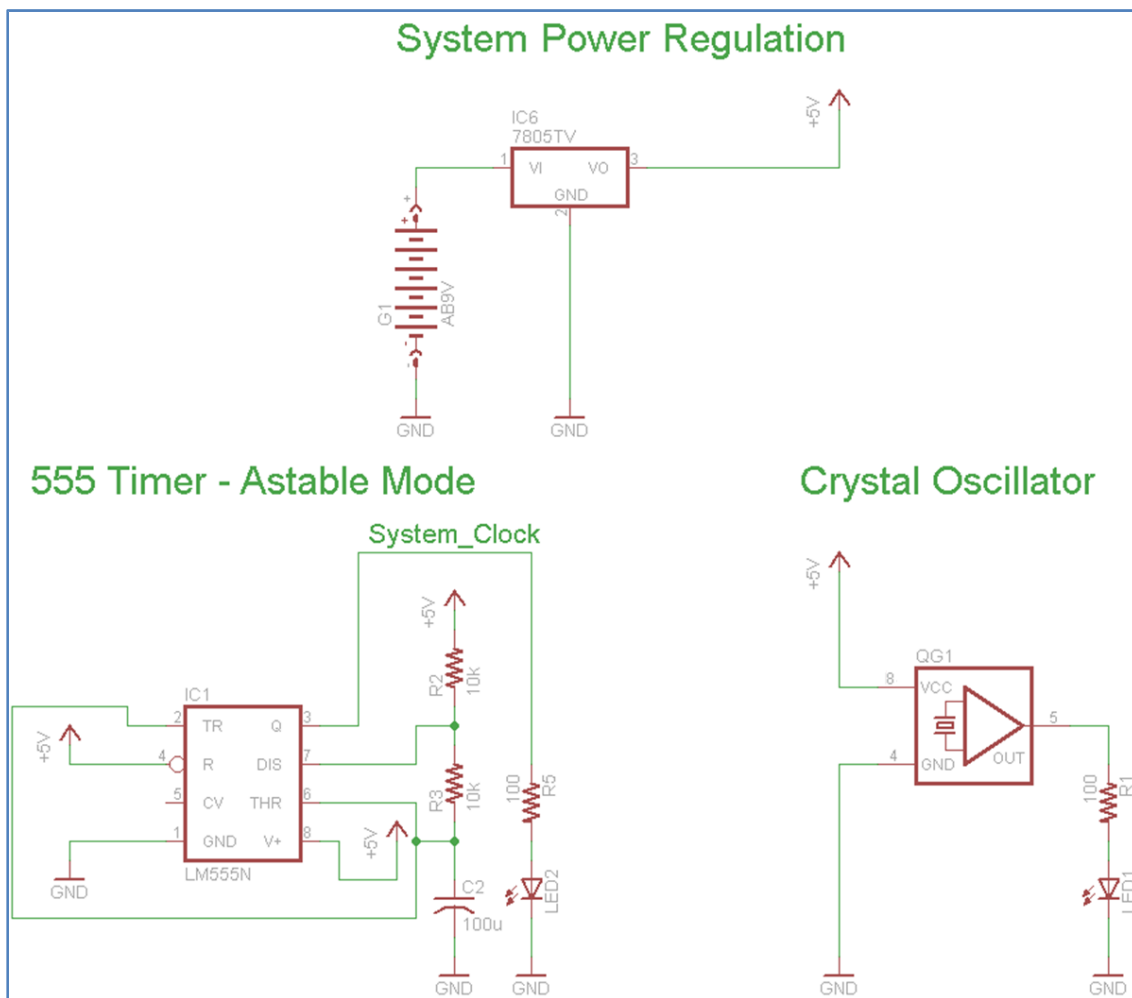
PyroElectro.com - PyroEDU

Introduction To Digital Electronics – Lesson 7: Clocks and Oscillators

SCHEMATICS

The following schematic material is meant to go with the online lesson found here:
http://www.pyroelectro.com/edu/digital/clocks_oscillators/

EXAMPLE CLOCK GENERATION SCHEMATIC



ADDITIONAL INFORMATION

To ask questions about anything found in this schematic please head on over to the forums located at:

<http://www.pyroelectro.com/forums/viewforum.php?f=21>