



PyroElectro.com - PyroEDU

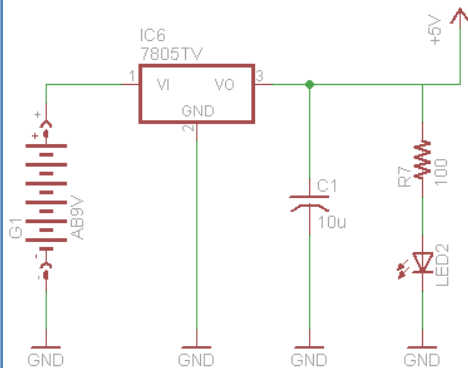
Introduction To Digital Electronics – Lesson 12: 4000 Series Logic Devices

SCHEMATICS

The following schematic material is meant to go with the online lesson found here:
http://www.pyroelectro.com/edu/digital/4000_logic/

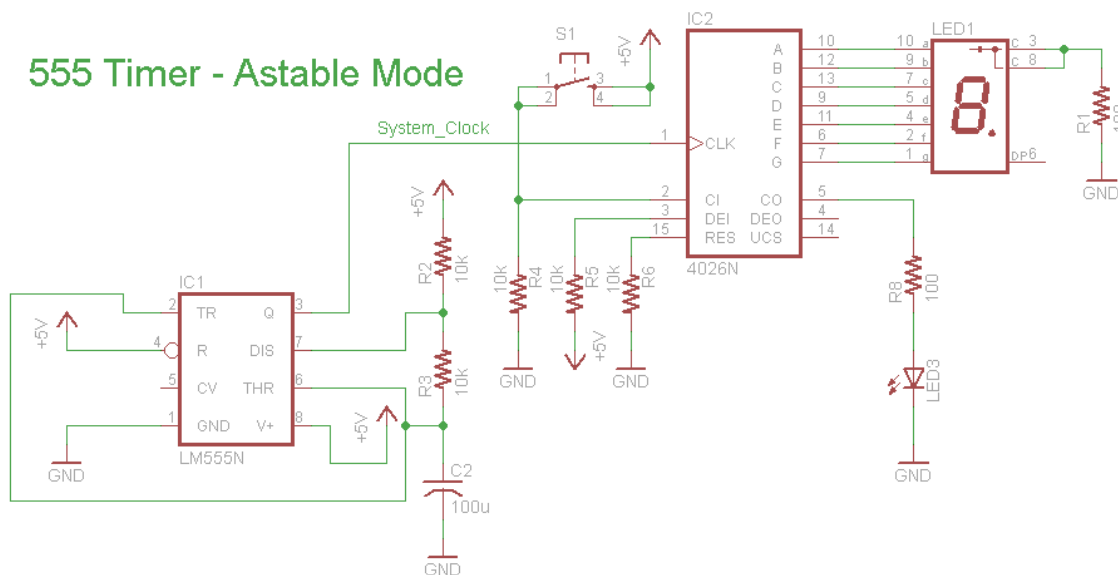
4-BIT COUNTER + 7 SEGMENT LED DISPLAY SCHEMATIC

System Power Regulation



4-Bit Counter + 7 Segment LED Driver

555 Timer - Astable Mode



ADDITIONAL INFORMATION

To ask questions about anything found in this schematic please
head on over to the forums located at:

<http://www.pyroelectro.com/forums/viewforum.php?f=21>