



PyroElectro.com - PyroEDU

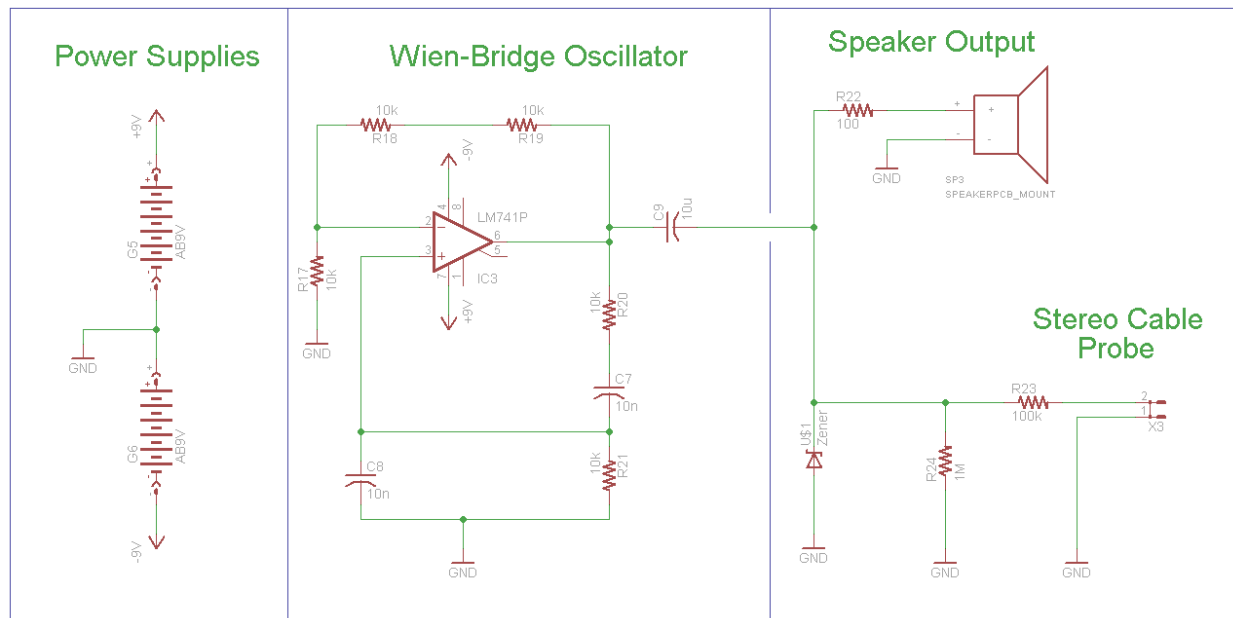
Introduction To Analog Electronics – Lesson 4: Zener Diodes

SCHEMATICS

The following schematic material is meant to go with the online lesson found here:
http://www.pyroelectro.com/edu/analog/zener_diode/

ZENER DIODE CLIPPER

For this lesson we used a zener diode to 'clip' the AC sine wave at the zener 'knee' voltage of +5.1v. This created a mostly single polarity signal with a clipped peak that ended up looking a little bit more like a square wave. The final circuit schematic of the experiment can be seen below:



ADDITIONAL INFORMATION

To ask questions about anything found in this schematic please head on over to the forums located at:

<http://www.pyroelectro.com/forums/>