



PyroElectro.com - PyroEDU

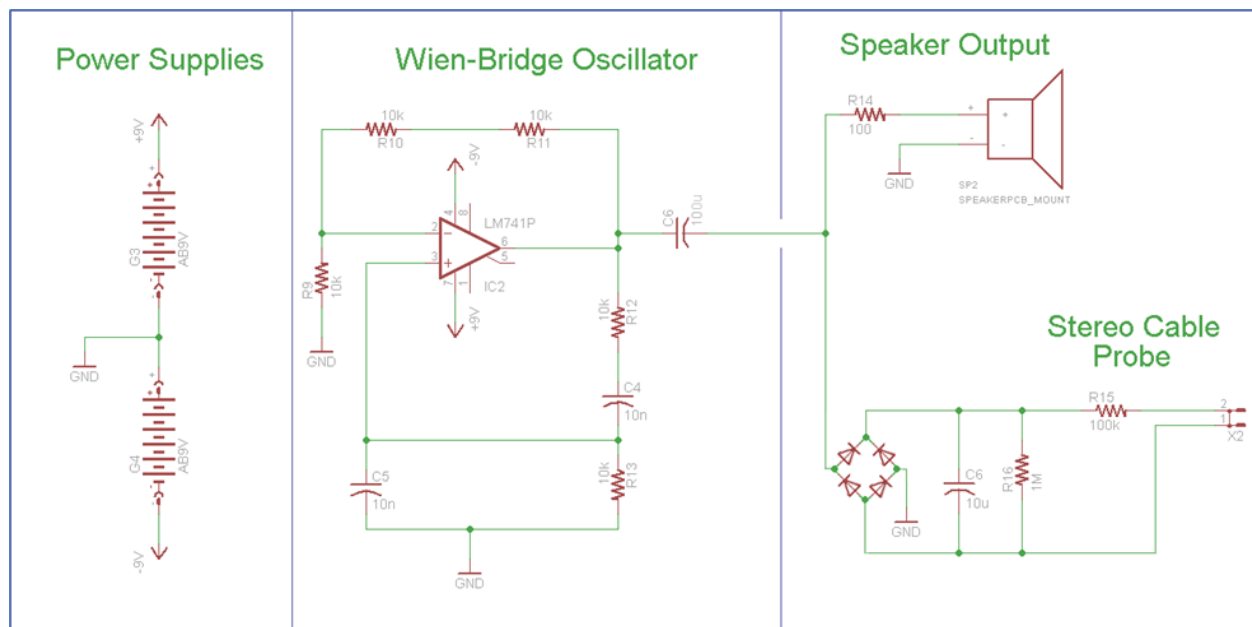
Introduction To Analog Electronics – Lesson 3: Rectifying Diode Circuits

SCHEMATICS

The following schematic material is meant to go with the online lesson found here:
http://www.pyroelectro.com/edu/analog/rectifying_diodes/

RECTIFYING AC ELECTRICITY INTO DC ELECTRICITY

For this lesson we used the sine wave generator that we built in lesson 2 to generate an AC signal and then we turned that AC signal back into a DC signal. The final circuit schematic of the experiment can be seen below:



ADDITIONAL INFORMATION

To ask questions about anything found in this schematic please head on over to the forums located at:
<http://www.pyroelectro.com/forums/>