



PyroElectro.com - PyroEDU

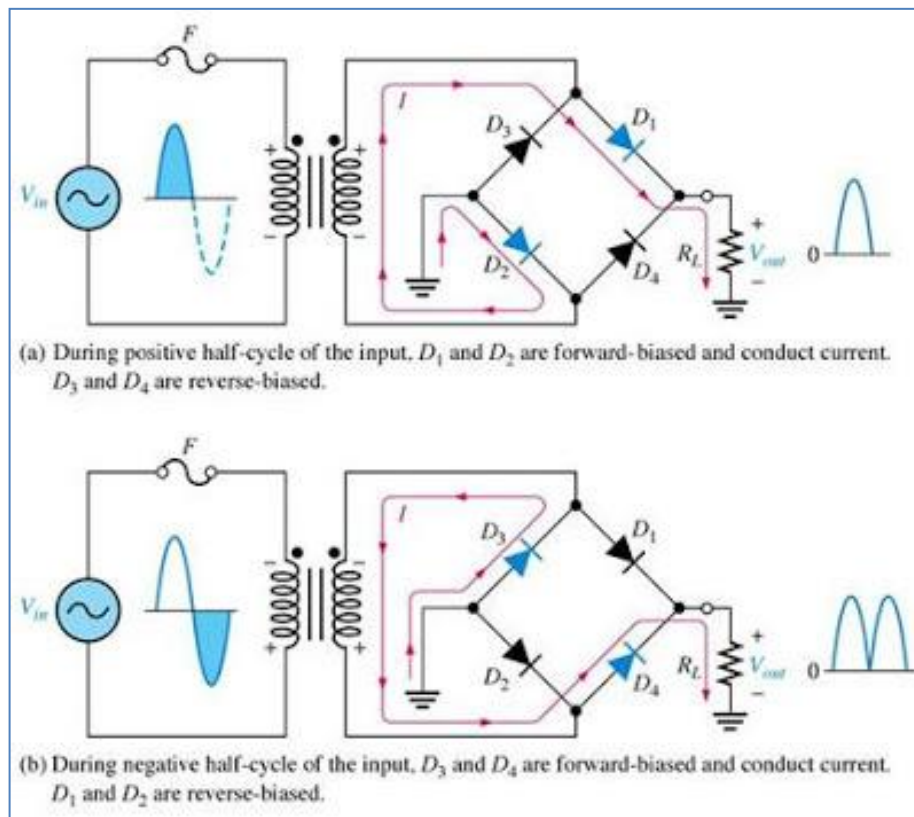
Introduction To Analog Electronics – Lesson 3: Rectifying Diode Circuits

FORMULAS

The following formulas and information are meant to go with the online lesson found here:
http://www.pyroelectro.com/edu/analog/rectifying_diodes/

BRIDGE RECTIFIERS

When looking at the final rectifier that we build using 4 diodes a mysterious thing occurs. Both the negative and positive sides of the AC signal are seen coming out of the output. This is all thanks to the 4 diodes guiding the signal to go the way we want it. The illustration below gives you a visual guide with arrows showing you how current flows through the rectifier during the positive and negative portions of the input AC signal:



ADDITIONAL INFORMATION

If you have any questions about the formulas or information found in this document, please feel free to head on over to the forums and ask us some questions!

<http://www.pyroelectro.com/forums/>