



# PyroElectro.com - PyroEDU

Introduction To Analog Electronics – Lesson 5: RL/RC Passive Filters

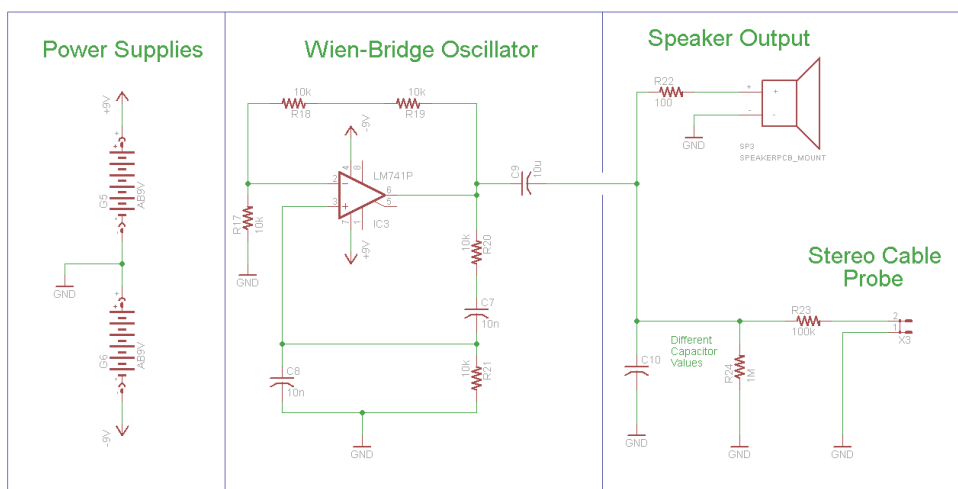
## SCHEMATICS

The following schematic material is meant to go with the online lesson found here:  
[http://www.pyroelectro.com/edu/analog/passive\\_filters/](http://www.pyroelectro.com/edu/analog/passive_filters/)

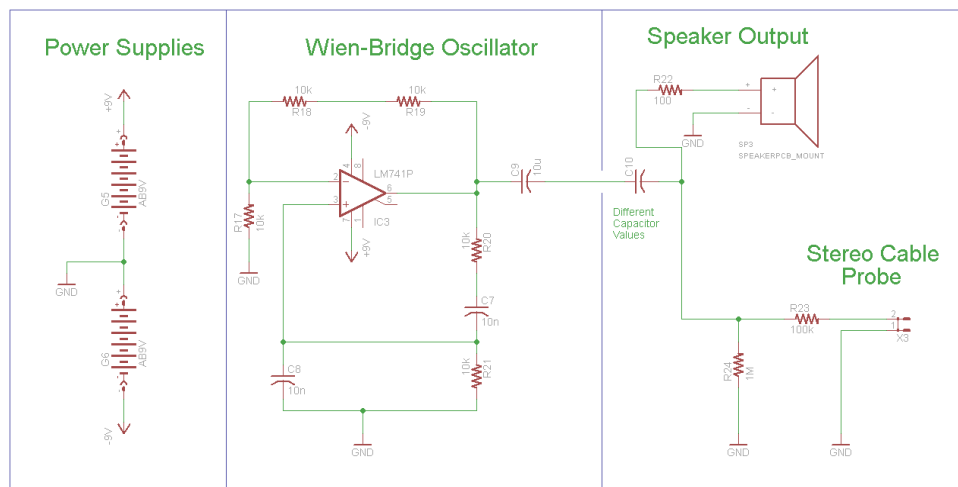
## RC LOW PASS AND HIGH PASS FILTERS

In this lesson we experimented by building two types of RC filter circuits, a high-pass and a low pass filter. Here is the schematic for the low-pass filter circuit and then the high-pass filter.

Low Pass  
RC Filter  
Schematic



High Pass  
RC Filter  
Schematic



## ADDITIONAL INFORMATION

To ask questions about anything found in this schematic please  
head on over to the forums located at:

<http://www.pyroelectro.com/forums/>