



PyroElectro.com - PyroEDU

Introduction To Analog Electronics – Lesson 7: Active Filters

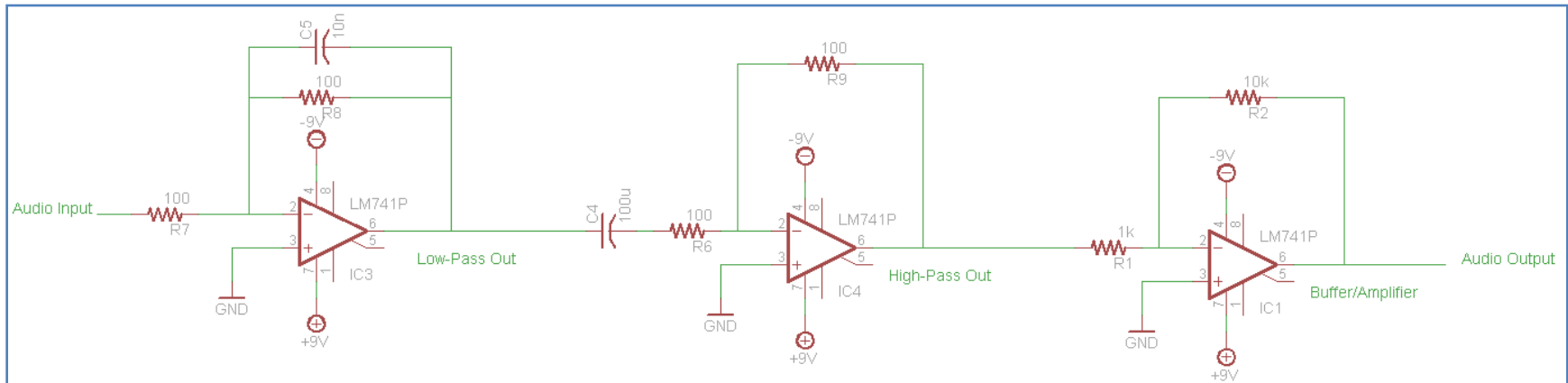
SCHEMATICS

The following schematic material is meant to go with the online lesson found here:

http://www.pyroelectro.com/edu/analog/active_filters/

ACTIVE FILTER SCHEMATIC

The schematic for this experiment was split into 3 sections. The first section is the low pass active filter. The second section is the high pass active filter. The third and final section is the output buffer/amplifier. When these three sections are combined together we get a band-pass active filter that can output a strong audio signal to some speakers. Here is the schematic:



ADDITIONAL INFORMATION

To ask questions about anything found in this schematic please head on over to the forums located at:

<http://www.pyroelectro.com/forums/>