



# PyroElectro.com - PyroEDU

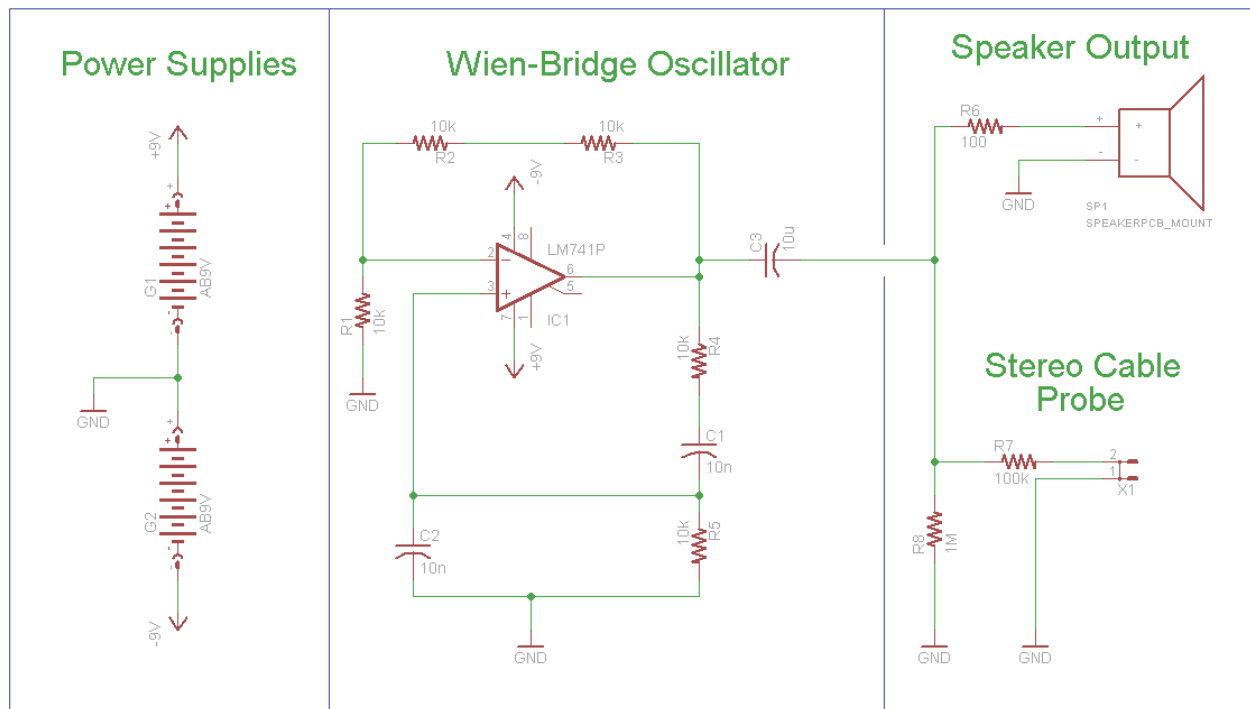
Introduction To Analog Electronics – Lesson 2: AC vs. DC Electricity

## SCHEMATICS

The following schematic material is meant to go with the online lesson found here:  
[http://www.pyroelectro.com/edu/analog/ac\\_vs\\_dc/](http://www.pyroelectro.com/edu/analog/ac_vs_dc/)

## A SIMPLE OSCILLATOR CIRCUIT

For this course we need a way to generate a simple AC signal that we can use to help us learn about analog electronics. The circuit that we will use to do that is called a Wien-Bridge oscillator and we will connect it to a speaker so we can hear the oscillations. The circuit schematic can be seen below:



## ADDITIONAL INFORMATION

To ask questions about anything found in this schematic please head on over to the forums located at:  
<http://www.pyroelectro.com/forums/>