



# PyroElectro.com - PyroEDU

*Introduction To Digital Electronics – Lesson 1: The Introduction*

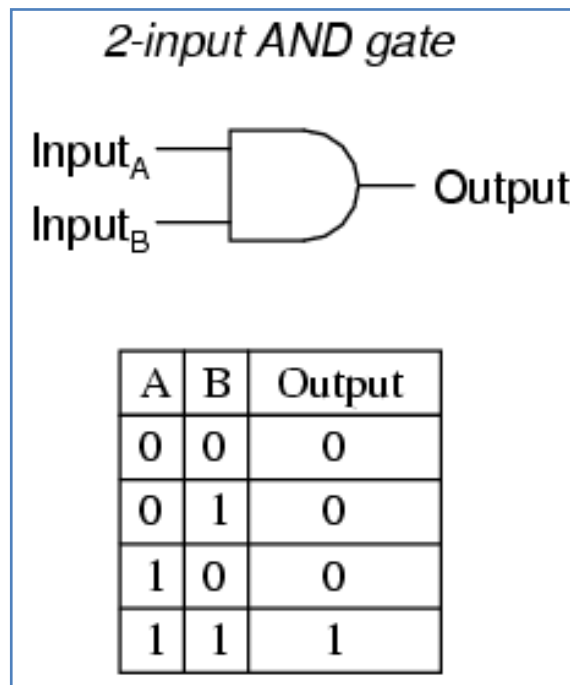
## FORMULAS

The following formulas and information are meant to go with the online lesson found here:  
<http://www.pyroelectro.com/edu/digital/introduction/>

## TRUTH TABLES, TIMING DIAGRAMS AND FORMULAS

Throughout the 12 lessons of this course we will constantly be looking at theory. As much as we sometimes like to ignore the math behind electronics, sometimes you just need to use it to really understand what is going on.

In the formulas document of each lesson you should expect to see familiar theoretical ideas that you saw in the lesson, like timing diagrams or truth tables, for example:



The theoretical equations, tables and diagrams found in this theory document is meant to supplement what you learned in the lesson and give you a document that you can easily print out and take with you so you don't have to constantly refer back to the video lessons.

## ADDITIONAL INFORMATION

If you have any questions about the formulas or information found in this document, please feel free to head on over to the forums and ask us some questions!

<http://www.pyroelectro.com/forums/viewforum.php?f=21>