



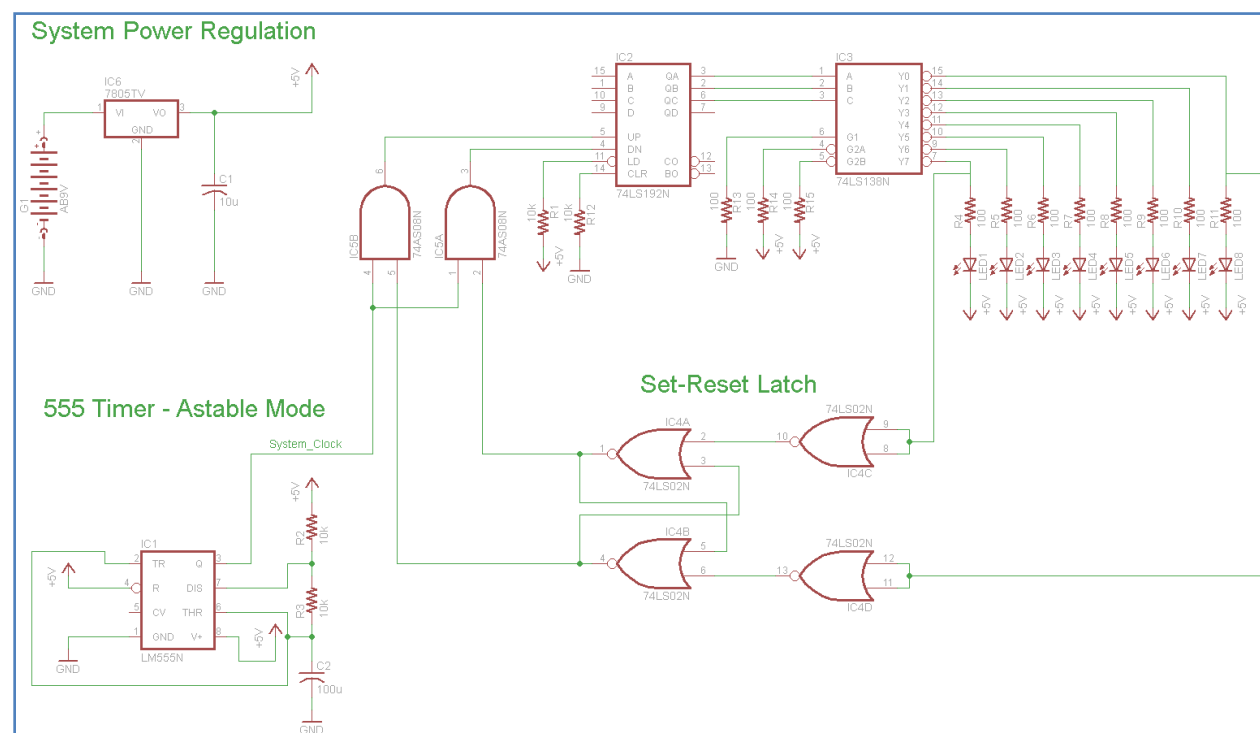
# PyroElectro.com - PyroEDU

## Introduction To Digital Electronics – Lesson 11: 7400 Series Logic Devices

### SCHEMATICS

The following schematic material is meant to go with the online lesson found here:  
[http://www.pyroelectro.com/edu/digital/7400\\_logic/](http://www.pyroelectro.com/edu/digital/7400_logic/)

### KNIGHT RIDER 8-LED SCHEMATIC



### ADDITIONAL INFORMATION

To ask questions about anything found in this schematic please head on over to the forums located at:

<http://www.pyroelectro.com/forums/viewforum.php?f=21>